

Introduction to measured data, instrumentation and sensors in relation to building physics and energy performance.

What is important to know? QUESTIONS

Aitor Erkoreka
University of the Basque Country (UPV/EHU)

1

1 – QUESTIONS

Questions for Aitor Erkoreka

On the internal surface temperature measurement, how did you consider overheating on captors exposed to solar radiation ? Especially on captors on internal surface of glazing

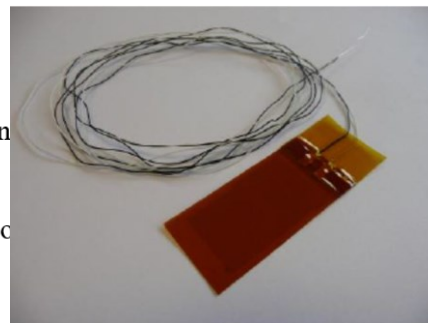
Considerations on temperature measurements: THERMORESISTANCE

The main advantages of the thermoresistances are:

- Accuracy
- Sensitivity

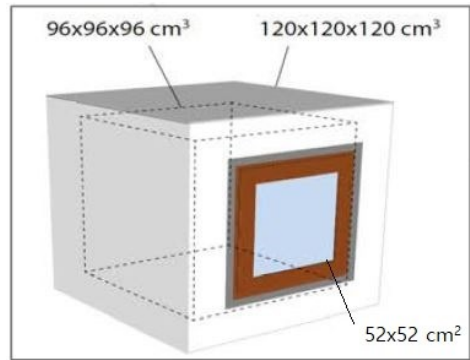
The main disadvantages of the thermoresistances are:

- Fragility
- Price (more expensive than thermocouples)



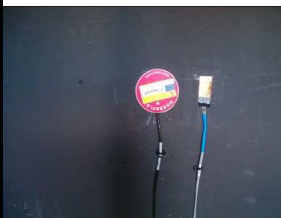
2

1 - QUESTIONS



3

1 - QUESTIONS



4

1 - QUESTIONS

